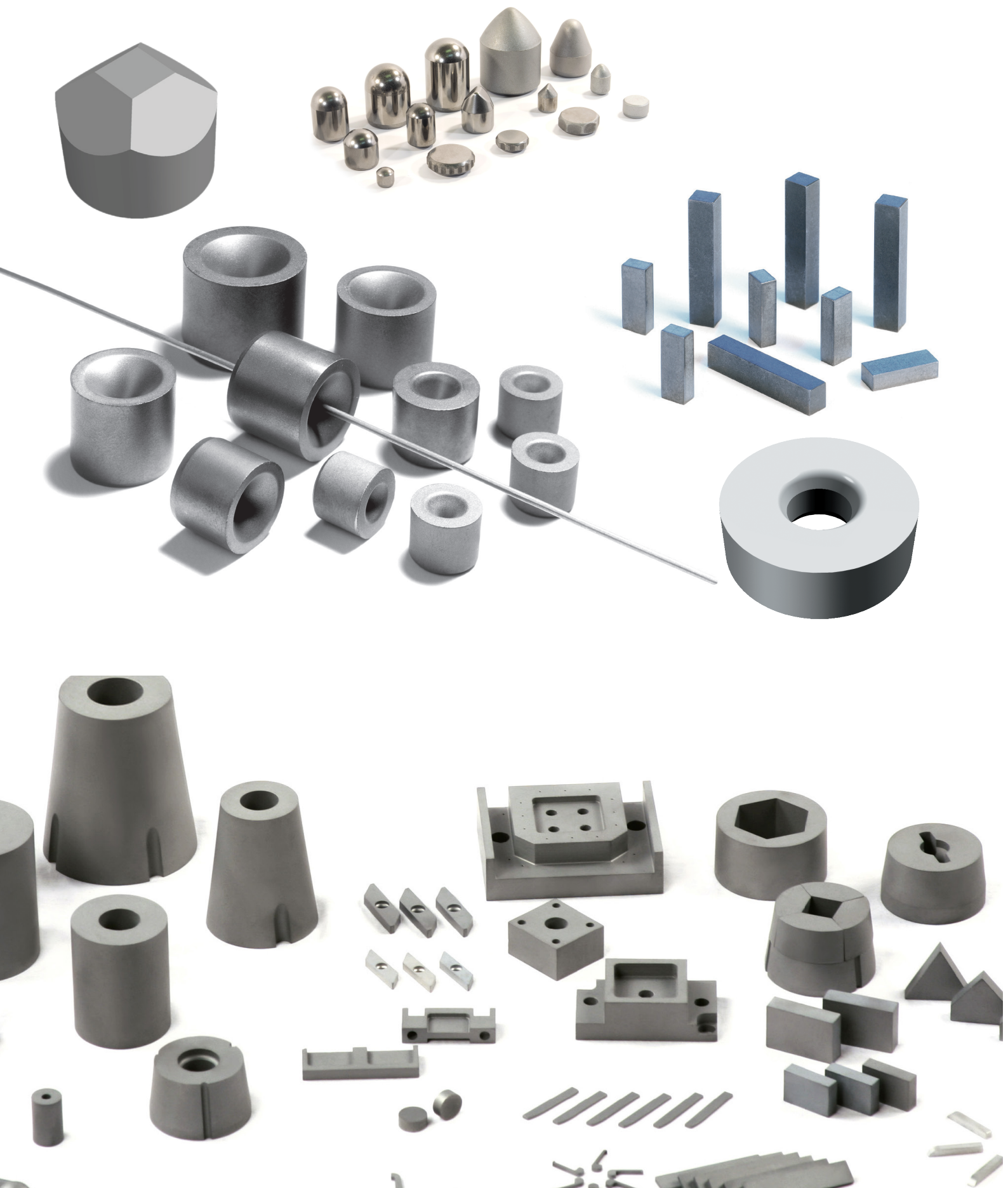


CEMENTED CARBIDE BLANKS

硬质合金毛坯制品



CARBIDE TOOL FOR MINING APPLICATIONS

矿用硬质合金

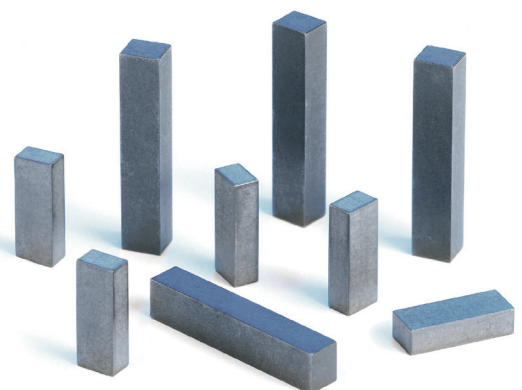


BUTTONS & TIPS FOR ROCK TOOLS

钻头硬质合金齿

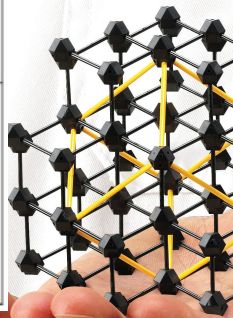
We offer a broad range of high quality cemented carbide buttons and tips that can perform in a variety of rock formations. The desired composition and shape are usually provided by our customer based on the application. We also offer our technical support for grade selection and buttons design to enable our customer to make the right choice for their rock tools. Our extensive grade offering, in-house manufacturing and R&D enable us to provide unique options for our customer.

我们提供广泛的高品质硬质合金齿，可用于多种岩层中。所需的组成和形状通常由我们的客户根据应用提供。我们还提供对牌号选择和齿型设计的技术支持，使我们的客户能够为他们的凿岩工具做出正确的选择。我们广泛的牌号选择，自主生产和研发的能力使我们能够为我们的客户提供独特的解决方案

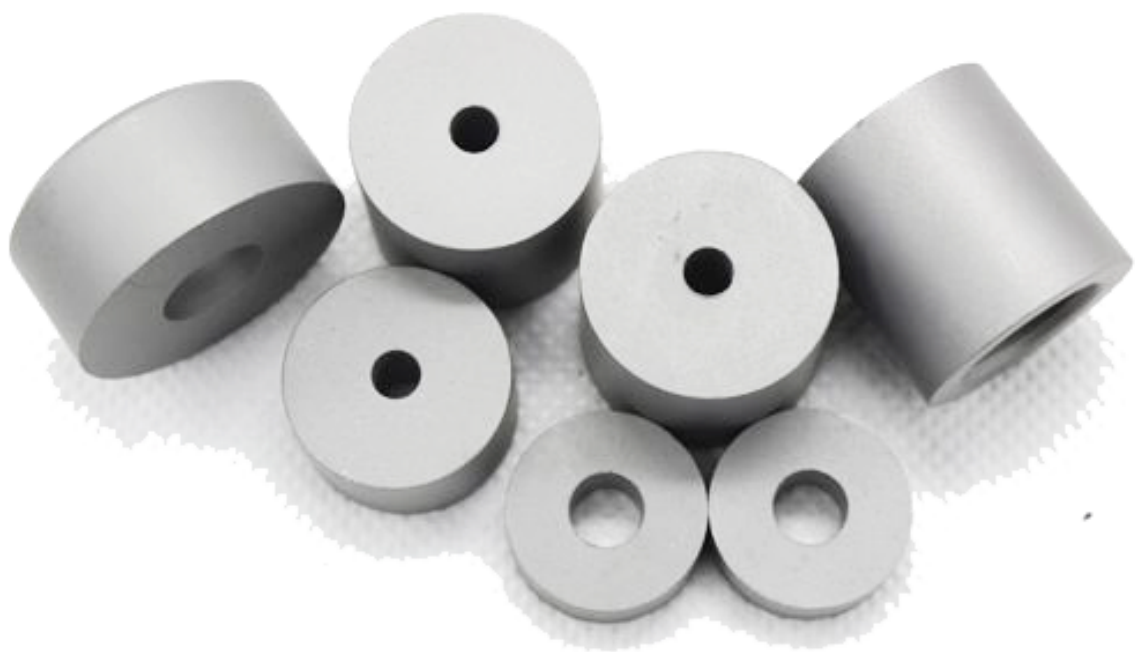
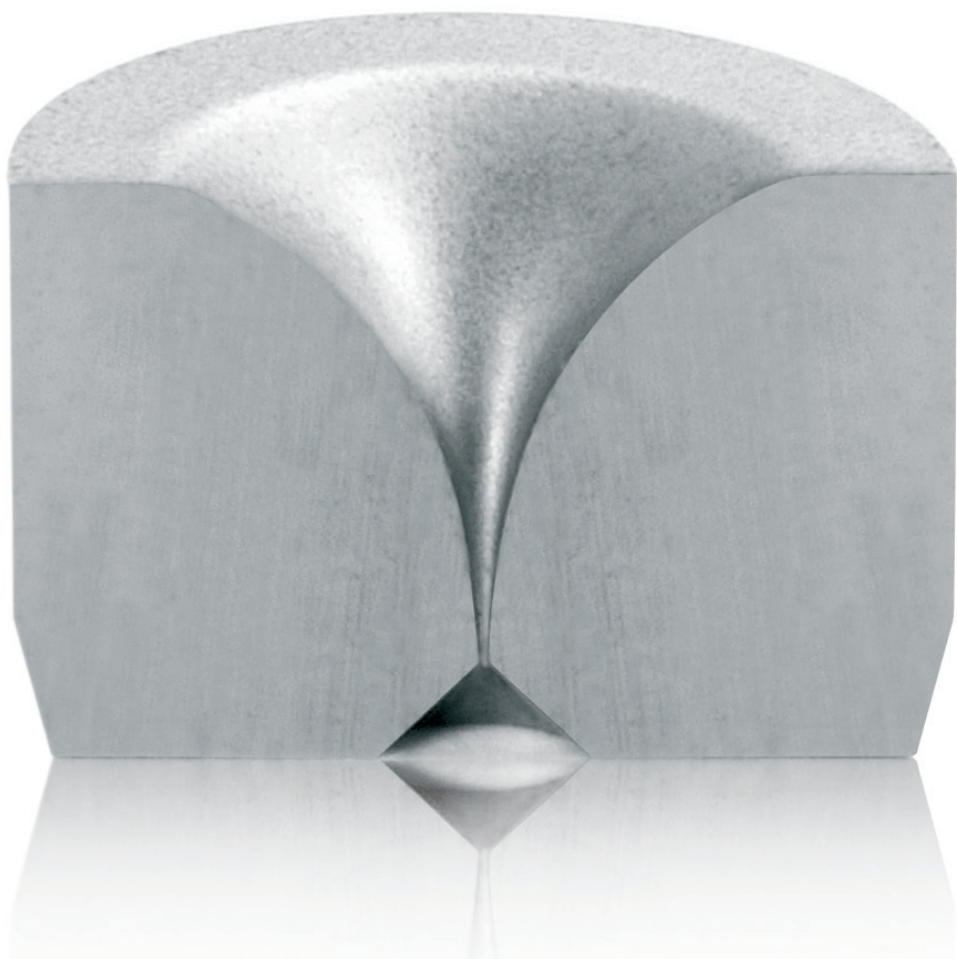


CARBIDE GRADES

牌号 Grade	物理力学性能 Physical and Mechanical Properties			推荐用途 Recommended Applications
	密度 Density	硬度 Hardness	抗弯强度 Bending Strength	
	g/cm ³	HRA	≥N/mm ²	
YG4C	15.0-15.2	90.0	1700	适用于地质勘探钻具，煤炭采掘、镶制电钻及风钻钻头。亦适于中硬砂岩、灰岩、及软硬交替的岩石钻具。 Suitable for geological prospecting, coal excavating and being embedded in electrical drill and pneumatic drill. Also suitable for drilling bits for sandstone of medium hardness, limestone and rock of alternative hardness between soft and hard.
YG8C	14.6-14.8	88.5	2300	适用冲击回转凿岩机用的钎头；钻凿中硬和坚硬岩石。亦适于截煤机齿、石油钻头钻具。 Suitable for impacting rotary rock drilling tools for drilling hard and medium-hard rocks. Also for coal-cutting bits and oil drilling bits.
YG9C	14.5-14.7	88.1	2500	用于冲击回转钻头的钎片、球齿及潜孔钻用球齿，凿进软岩层及中硬岩层钻具。 Suitable to be used as drilling bits or buttons for impacting rotary drilling tools and buttons for deep-hole drilling tools to drill soft rock to medium-hard rock .
YG10C	14.4-14.6	87.7	2600	用于冲击回转钻头的钎片、球齿及潜孔钻用球齿，凿进中硬及坚硬岩层钻具。 Suitable to be used as drilling bits or buttons for impacting rotary drilling tools and buttons for deep-hole drilling tools to drill medium-hard rock to hard rock.
YG11C	14.2-14.4	87.0	2600	适用于合金柱齿，镶制牙轮钻和冲击钻具，钻凿硬岩层、坚硬岩层钻具。 Suitable to be used as pillar buttons and to be embedded in cog drilling tools or impacting drilling tools to drill hard rocks.
YG13C	14.1-14.3	86.7	2800	适用于石油牙轮钻钻具，钻进硬岩层、中硬岩层。 Suitable to be used for cog drilling tools in oil industry to drill hard and medium-hard rocks.

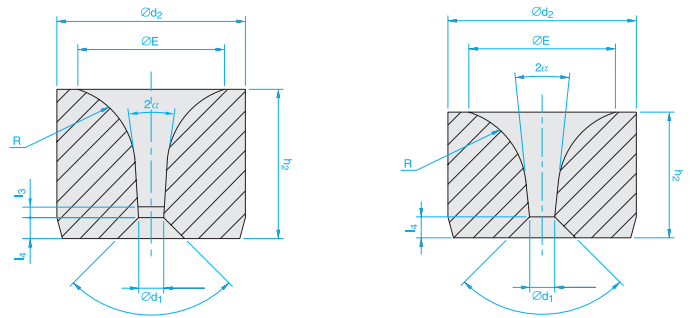


CARBIDE DIES
硬质合金模具材料



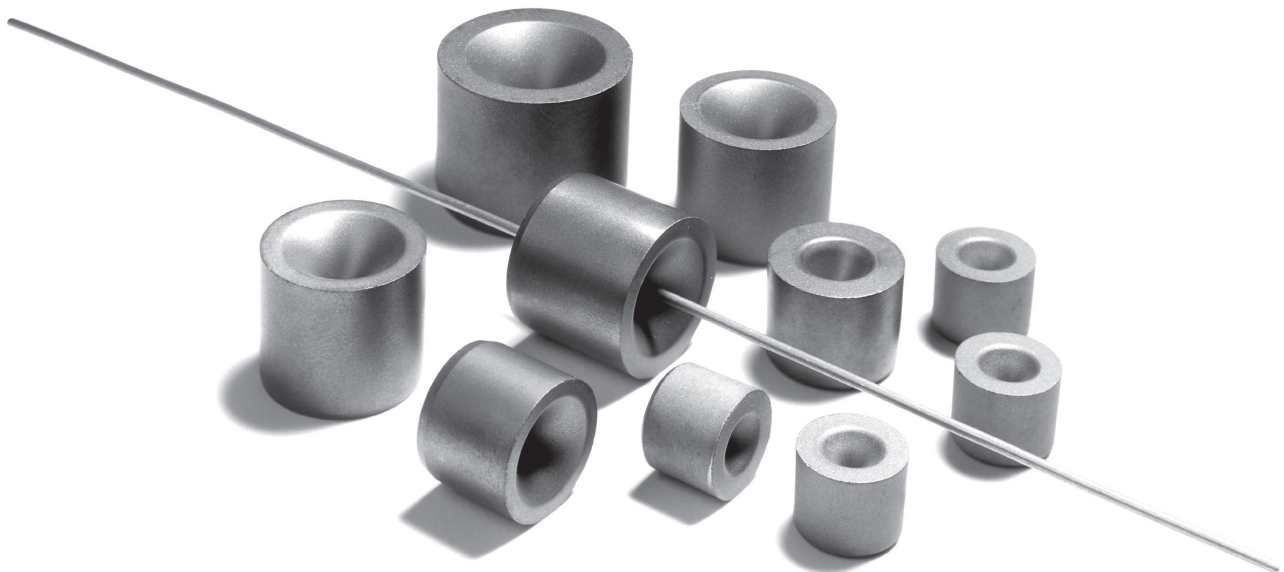
Nibs for Wire Drawing Dies

硬质合金拉伸模



Carbide grade properties 牌号性能表

Carbide grade 合金牌号	TRS (Mpa) 抗弯强度	Hardness (HRA) 硬度	Density (g/cm ³) 密度	WC grain size 晶粒度
YG6	1800	90.0	14.9	1.2-1.6
YG8	1890	89.5	14.7	1.2-1.6
YG6A	2000	91.5	14.9	1.0-1.2
YG20	2500	86.5	13.8	1.0-1.2
YG10X	2800	91.5	14.5	0.8-1.2
YG15X	3500	89.5	14.0	0.8-1.2



Nibs for Cold Heading Dies

硬质合金冷镦模

Carbide grade properties 牌号性能表

Carbide grade 合金牌号	TRS (Mpa) 抗弯强度	Hardness (HRA) 硬度	Density (g/cm ³) 密度	WC grain size 晶粒度
KN151	3100	87	13.88	2-3
KN152	2700	86	13.80	3-6
KN201	2750	83.8	13.55	3-6
KN202	2650	85.2	13.40	2-6
KN221	2400	82.5	13.38	6-9
KN251	2200	81.5	13.15	6-9



Carbide Plates for EDM

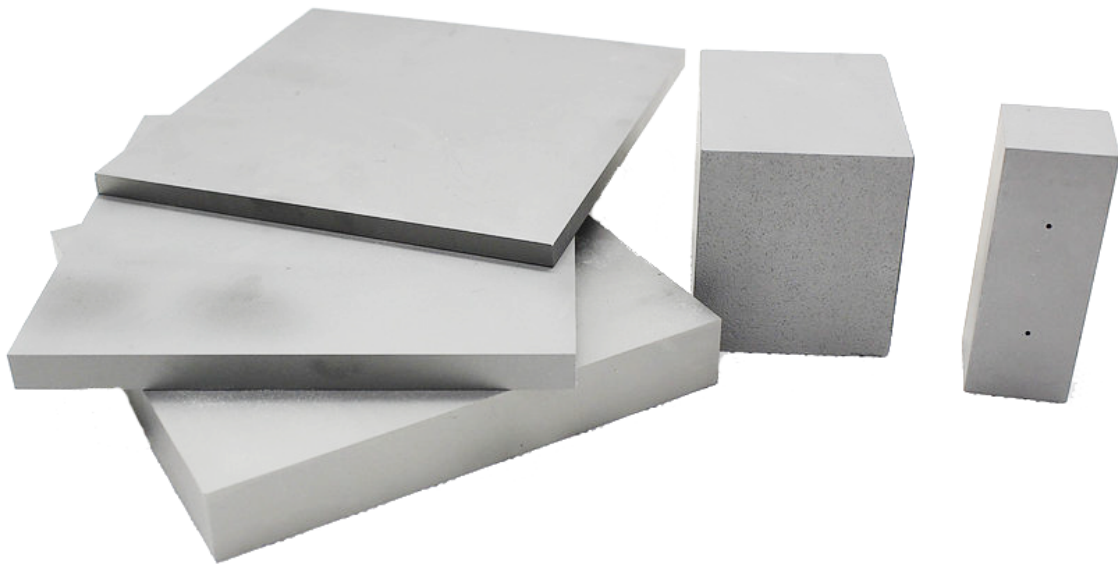
硬质合金级进模

特点：采用我公司的专利配方和当今世界最先进的压力烧结工艺生产，具有很高的冲击韧性和强度，刃口锋利，模具寿命长，加工件精度高等特点。

Features: The use of our company's patent formula and the world's most advanced HIP sintering process makes this material with high impact toughness and strength, sharp edge, long die life, and high precision

Carbide grade properties 牌号性能表

Carbide grade 合金牌号	TRS (Mpa) 抗弯强度	Hardness (HRA) 硬度	Density (g/cm ³) 密度	WC grain size 晶粒度
MT15	2700	87.5	14.0	2.0
MT650	3700	89.5	13.9	0.8
MT20	3500	90.0	14.2	0.5-1.5
MT10	3000	91.5	14.5	0.8

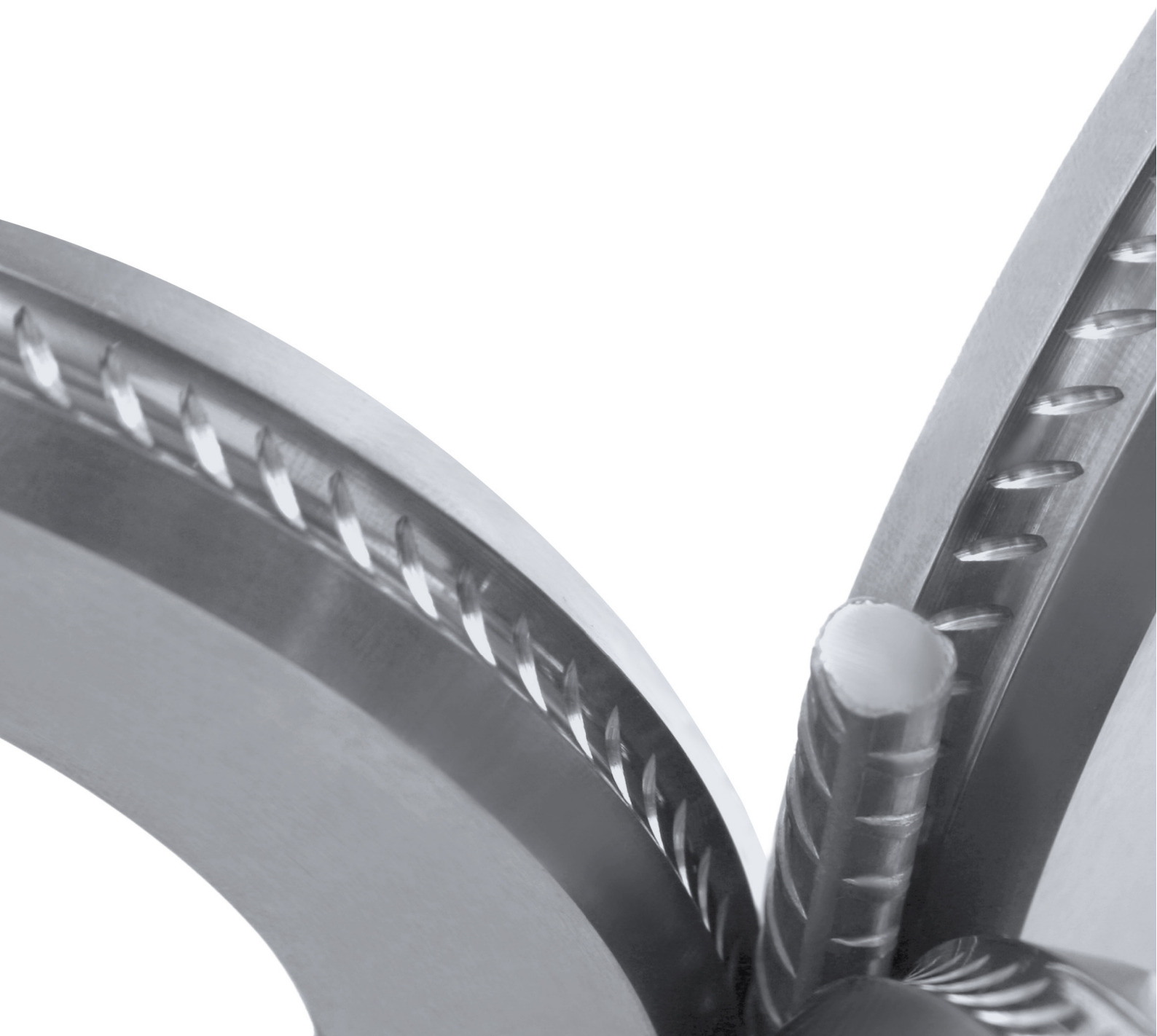


Carbide Roll

硬质合金轧辊

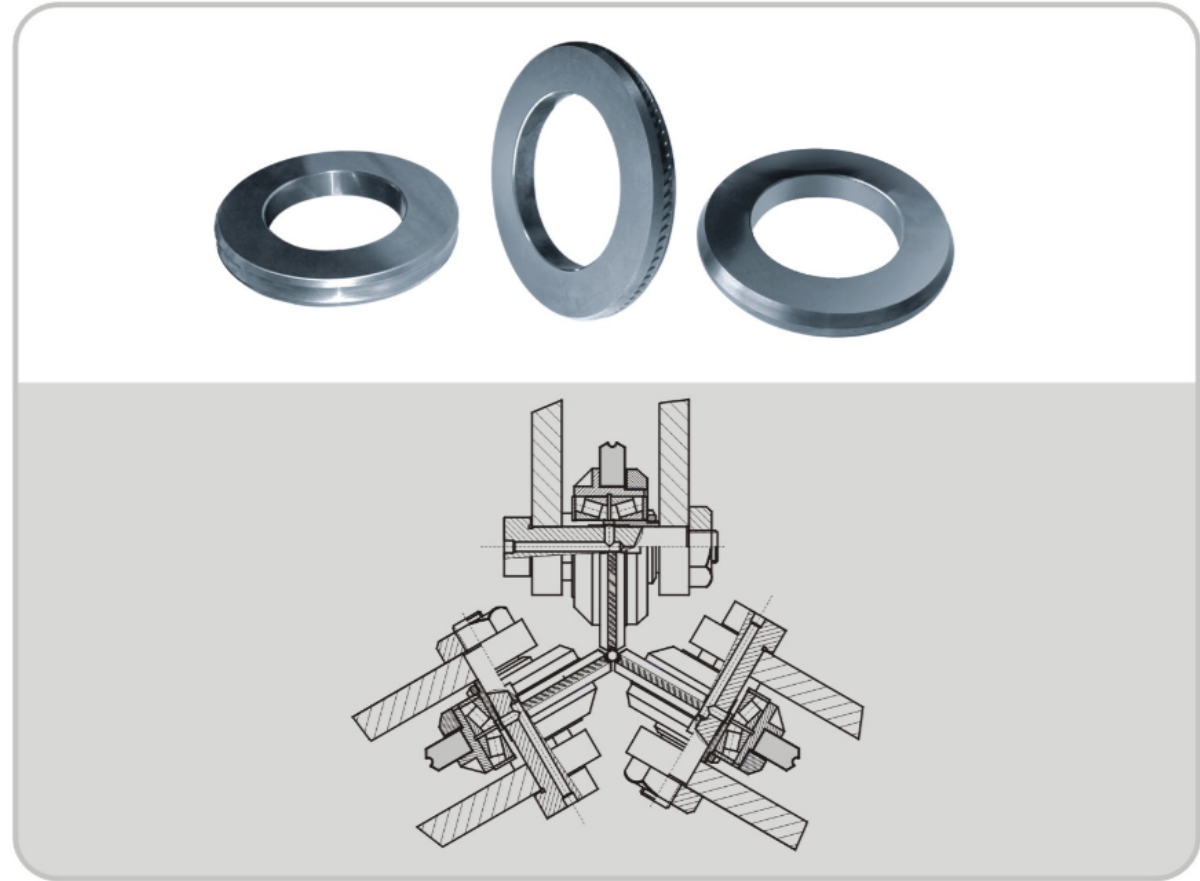
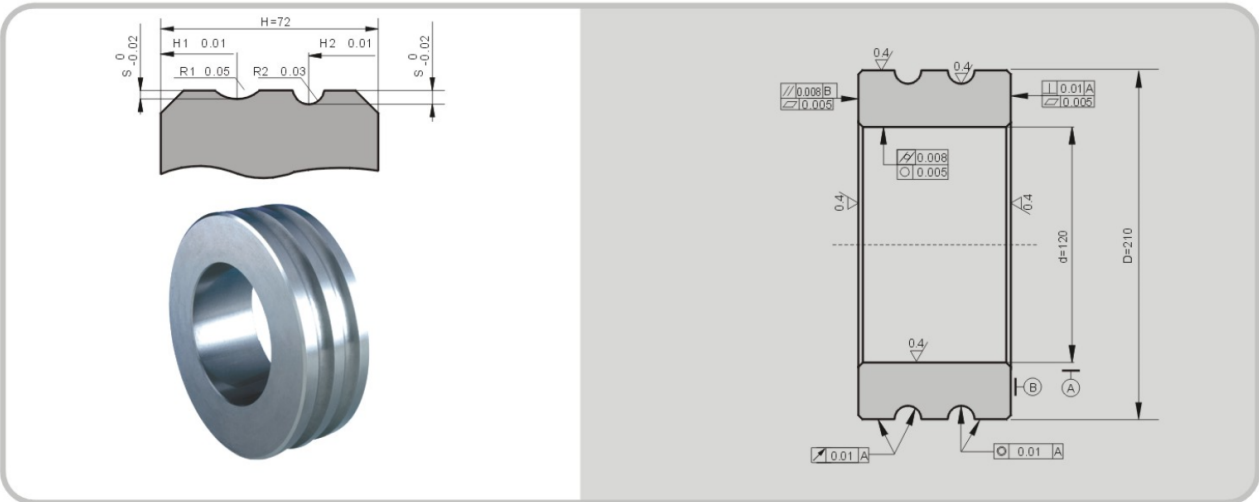
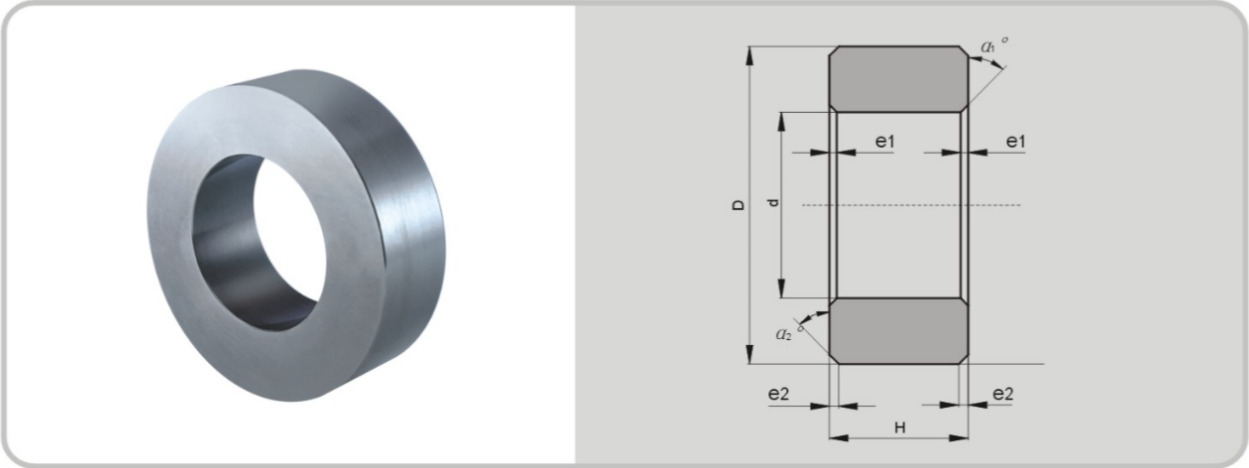
Carbide grade properties 牌号性能表

Carbide grade 合金牌号	TRS (Mpa) 抗弯强度	Hardness (HRA) 硬度	Density (g/cm ³) 密度	WC grain size 晶粒度
YG16C	2600	84.0	13.9	2.0
YG8	2000	89.0	14.8	1.6
YG15	2700	86.5	14.4	1.6



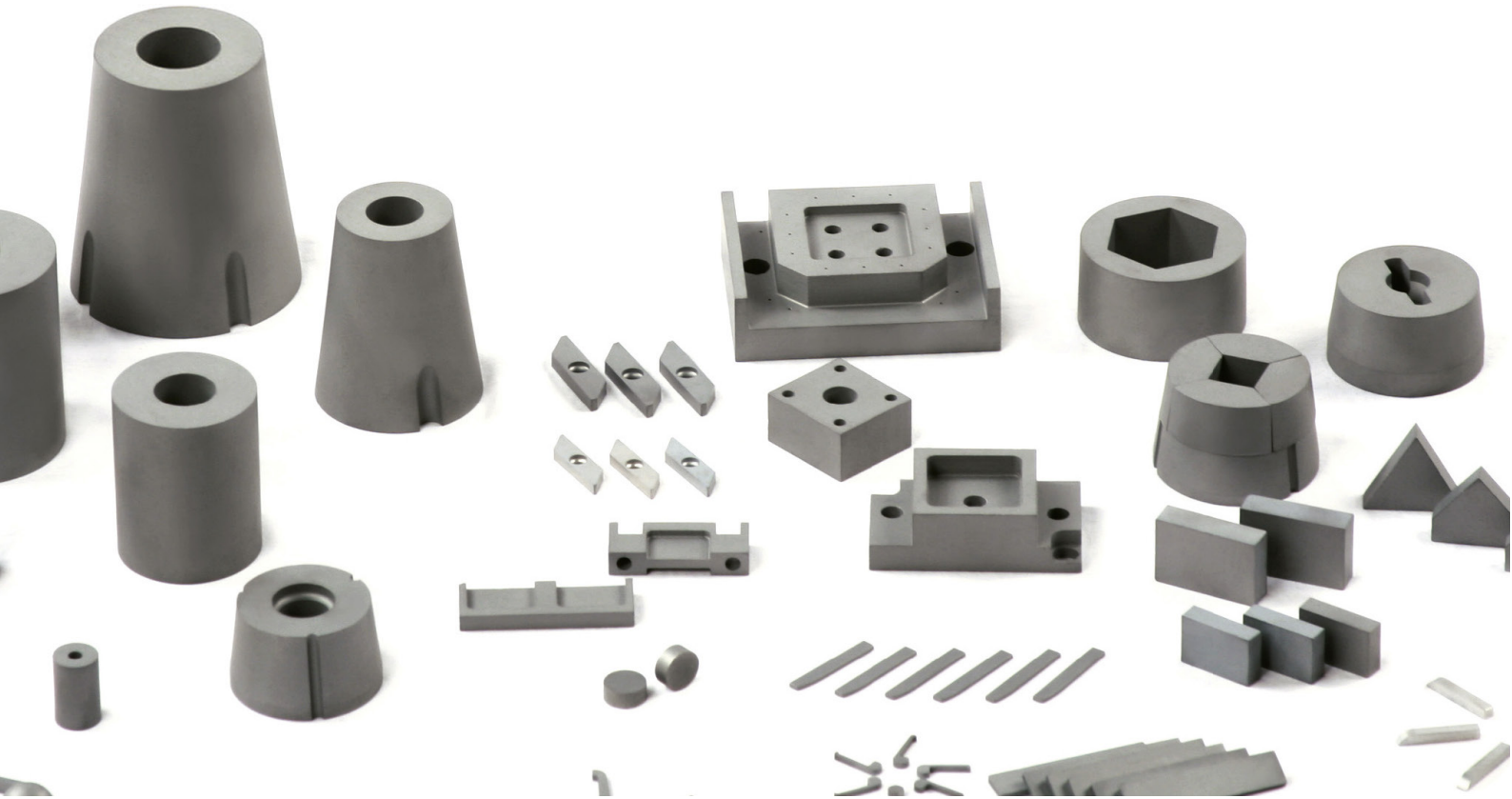
FINISHED CARBIDE ROLLER

精磨硬质合金轧辊环



SPECIAL CEMENTED CARBIDE TOOL

异形硬质合金产品

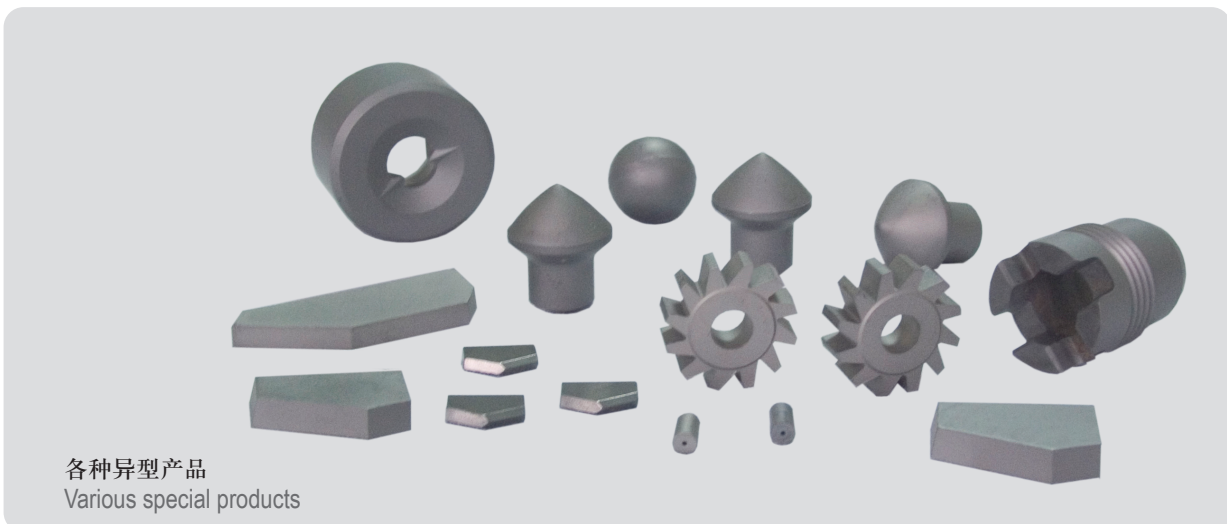


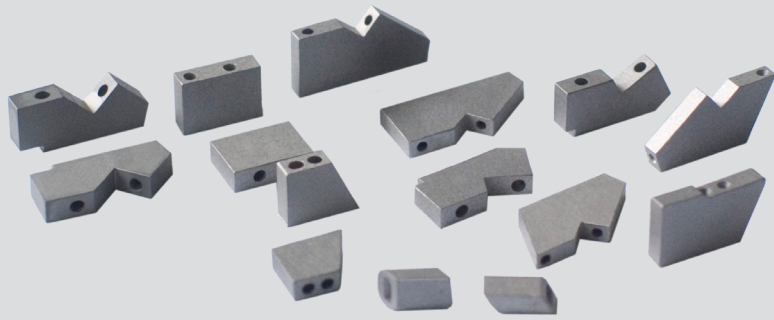
各类异型制品

Various special cemented carbide products

可提供的异型制品规格众多，有3万余套异型制品模具及各种先进的成型设备和手段，可广泛满足各行业对各种形状与用途产品的需求，可跟据您的要求，来图来样组织生产。以下是部分异型制品的范例。

There is a wide assortment of specifications of special cemented carbide products with around 30, 000 sets of dies & moulds and advanced forming equipment and means, meeting a wide range of requirements for various shapes and applications in various industries. The products can be manufactured based on your drawings and samples. Below are some examples of special cemented carbide products:

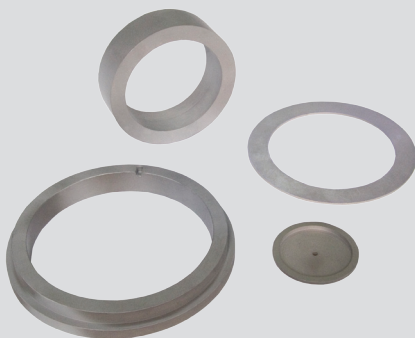




梭子头系列
Series of blades for shuttle looms



过线、拉丝模、游动芯头
Wire straightening & drawing disc ,floating plugs



密封环
Seal rings



样板刀、铰刀、烟刀等
Chamfering tool,locating knife, tobacco cutters,etc.



各种喷嘴
Diversified jet nozzles

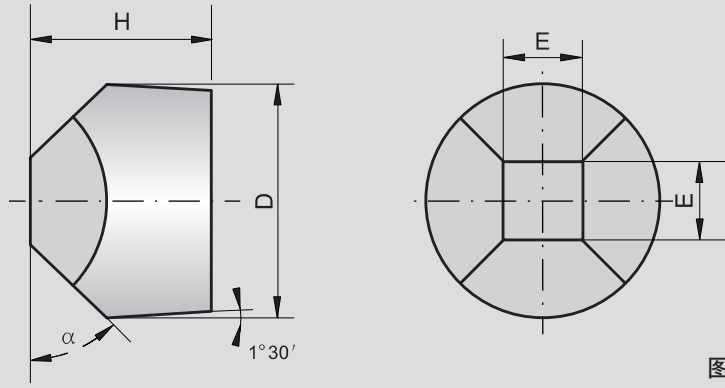
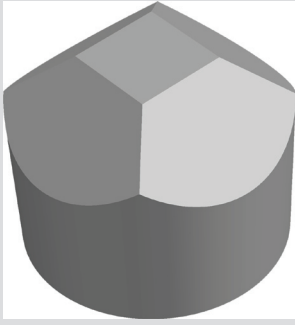
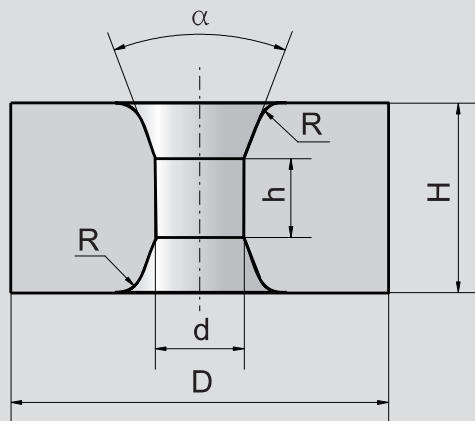
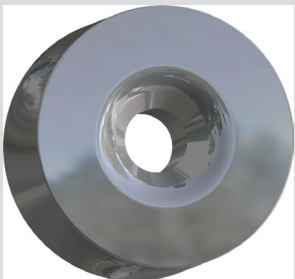
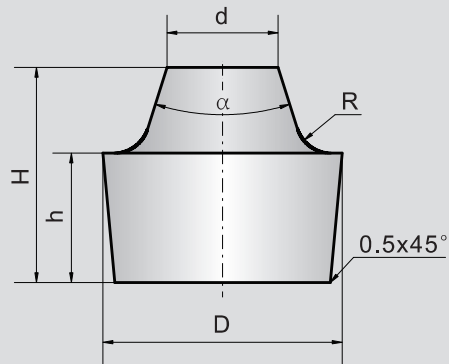
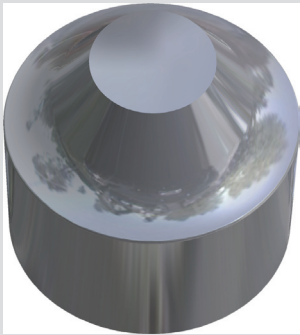
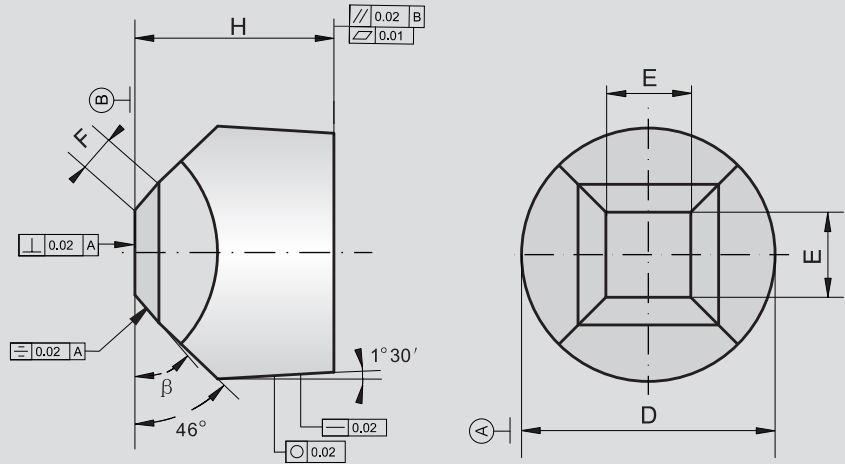
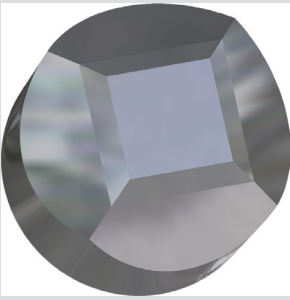


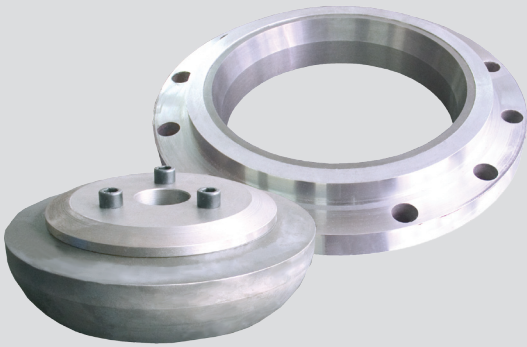
图 1



硬质合金割型产品

通过先进的机加工手段对半成品进行加工，生产出用户所需求的各种不同复杂形状和用途的产品。可跟据您的要求，来图来样组织生产。以下是部分割型产品的范例。

Advanced machining means are used for shaping semi-finished products to manufacture products of various complicated shapes and applications. They can be manufactured as per your drawings and samples based on your requirements. Below are some examples of shaped products:



阀芯、阀座
Valve body ,valve seat



各种长径比的车加工棒及精磨棒
Machined & finished rods with a varied ratio of lengths and diameters



割型产品
Shaped products



株洲美特优硬质合金有限公司
地址：湖南省株洲荷塘区金山工业园 412000
电话：0731-28117278 18182060303
传真：0731-28117279
E-mail : mty-998@vip.163.com

www.meet-you.cn

Zhuzhou Meeyou Cemented Carbide, Co., Ltd
471 JINSHAN ROAD, HETANG DISTRICT, ZHUZHOU,
HUNAN, CHINA 412000
Tel: 008673128420963 Fax: 008673128117279
US Number: +1(989)786-0147
sales@meetyoucarbide.com

www.meetyoucarbide.com